



## 5 Ports 10/100Mbps Modular Ethernet Switch



# WL-510

A Wiz-lite Product

- Five port modular Ethernet switch
- Four 10/100BaseTX and one modular uplink port, FX or TX
- Multimode or Single mode options up to 100Km
- Auto-negotiation or manual setting (speed & duplex)
- MDI-II / MDI-X auto crossover
- Full wire speed and half/full duplex support on all ports
- Far-end-fault detection, flow control and broadcast storm control
- VLAN and QOS support (optional)
- Per port enhanced LED indicators
- Compact size, desktop and wall mounting
- Unique Fiber Protector version

The WL-510 is a compact standalone dual speed Ethernet switch, equipped with a modular up-link port. The WL-510 is the ideal solution for remote workgroups and home/office applications (L2H, FTTD).

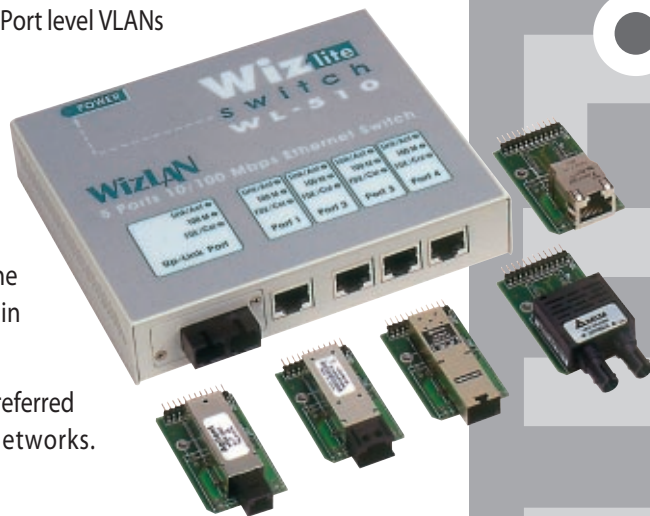
The WL-510 includes four 10/100Mbps RJ-45 ports, as well as a modular up-link (fifth) port supporting 100BaseFX or 10/100BaseTX interfaces. The 100BaseFX up-link modules are available with a choice of RJ-45 or SC, ST, MT-RJ, VF-45, LC or FJ F/O connectors for Multimode or Single mode fibers.

The WL-510 delivers powerful features usually found in high-end switches: full wire speed forwarding and filtering on all ports; 1k MAC addresses using automatic learning and aging; half/full duplex operation with flow control support; 128KByte buffer memory; auto-negotiation and manual setting of speed and duplex, and auto MDI-II MDI-X crossover on all TX ports. Port level VLANs and Priority (QOS) are available upon request.

The WL-510 uses store & forward architecture enabling direct 10/100 speed transfer as well as full error checking and filtering that optimize network performance. The WL-510 supports long frames (VLAN) of up to 1536 bytes.

LED indicators provide enhance monitoring of the status and the activity of each individual port. The indicators are highly visible in both desktop and wall mounting.

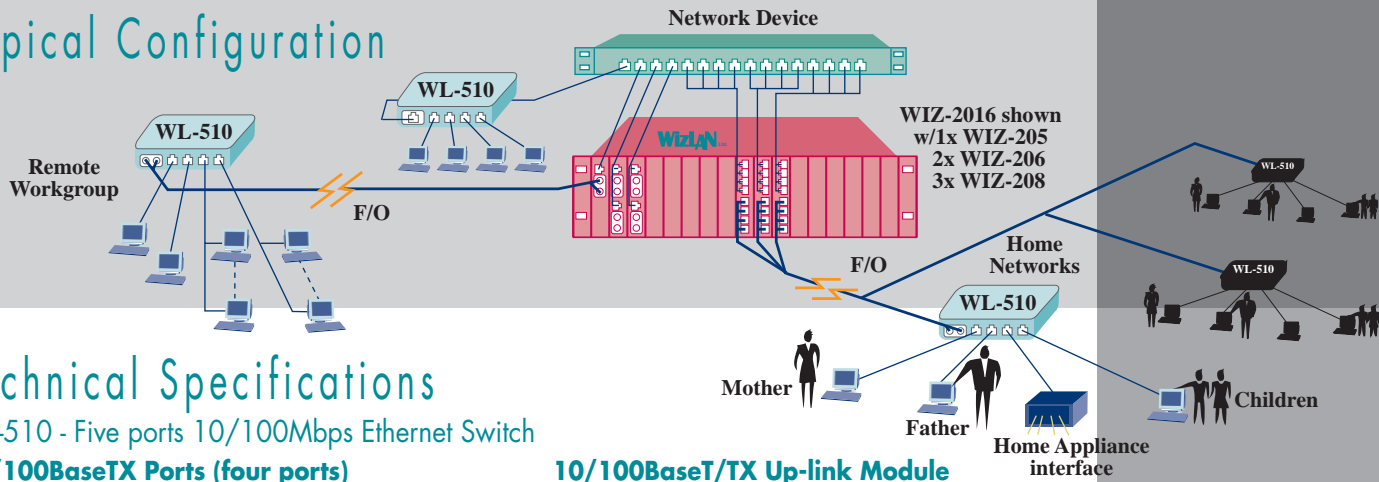
Adding together the features and versatilities, the WL-510 is the preferred plug and play solution for workgroups and home/office networks.



**Wiz**lite

**WizLAN** Ltd. **Simply Unbeatable**

# Typical Configuration



## Technical Specifications

WL-510 - Five ports 10/100Mbps Ethernet Switch

### 10/100BaseTX Ports (four ports)

10/100BaseTX RJ-45 connectors
MDI-II/MDI-X Auto crossover
10/100 A/N or manual setting (speed and duplex)
100 meter (330 ft) distance over UTP/STP

### Status Indicators (per port)

Link/Act	On - if Link detected (10 or 100) Blinks - if activity detected (RX/TX)
100M	On - operating at 100Mbps Off - operating at 10Mbps
FDX/Col	On - port operates in FDX mode Off - port operates in HDX mode Blinks - collisions detected

### Operational Characteristics

MAC Address	1K addresses Auto learning and aging
Buffer size	128KByte
Forwarding and filtering rate	148,880 pps for 100Mbps 14,880 pps for 10Mbps
Max. frame size	1536 byte
Architecture	Store & forward

### Standards Compliance

IEEE 802.3	10Base Ethernet
IEEE 802.3	100Base Ethernet
IEEE 802.3x	Flow Control

### Power Requirements (WL-510)

Input	+5VDC 2A regulated
Power jack polarity	+5V -

### Power Adapter (EPS)

External AC/DC wall mount adapter type (included)	
AC input	90 - 240 VAC / 50-60Hz
DC output	5 VDC 3A regulated

### Ordering Information

<b>WL-500/*/*/*</b>	Five ports 10/100Mbps Ethernet switch, 4 port 10/100BaseTX ports and one optional up-link port from the uplink modules listed below (add bold extensions only), incl. EPS
<b>WLM-510/B</b>	Blank without an up-link module
<b>WLM-510/U</b>	10/100BaseT/TX (RJ-45) module
<b>WLM-510/FE/M/C*</b>	100BaseFX up-link module, MM FO (1300nm, 0-6km, C* = SC,ST, MT, VF, LC, FJ connector)
<b>WLM-510/FE/S/C*</b>	100BaseFX up-link module, SM FO (1300nm, 0-20Km, C* = SC, ST, MT, LC connector)
<b>WLM-510/FE/S1/C*</b>	100BaseFX up-link module, SM FO (1300nm, 10-40Km, C* = SC, ST connector)
<b>WLM-510/FE/S2/C*</b>	100BaseFX up-link module, SM FO (1300nm, 30-60Km, C* = SC, ST connector)
<b>WLM-510/FE/S3/C*</b>	100BaseFX up-link module, SM FO (1550nm, 50-100Km, C* = SC connector)
Fiber Protector	For a fiber protected version please add <b>FP</b> to the above part number
WL-510/VLAN	Special VLAN/QOS firmware for the WL-510
*/*/*Example:	<b>WL-510/FE/M/SC/FP</b> - 4 ports 10/100UTP with one 100BaseFX (MM, 1300nm, 0-6km, SC) up-link port, in a fiber protected unit version.

All specifications are subject to change without notice. Neither manufacturer nor seller shall be liable for any loss, damage, or injury, direct or consequential, arising from the inability to use the product.

### 10/100BaseT/TX Up-link Module

10/100BaseT/TX RJ-45 connector
MDI-II/MDI-X Auto crossover
10/100 A/N or manual setting (speed and duplex)
100 meter (330 ft) distance over UTP/STP

### 100BaseFX Up-link Module

• Interface			
Multimode	1300nm	SC, ST, MT-RJ, VF-45, LC, FJ	
Singlemode	1300nm	SC, ST, MT-RJ, LC	
	1550nm	SC (100km)*	
• Distance/Power Budget			
Multimode	62.5/125μ	6km (11dB opt. Budget)	
Singlemode	9/125μ	20km 40km 60km 100km	
		11dB 21dB 31dB *32dB	

### Status Indicators (Up-link Port)

Link/Act	On - if Link detected (10 or 100) Blinks - if activity detected (RX/TX)
100M	On - operating at 100Mbps Off - operating at 10Mbps
FDX/Col	On - port operates in FDX mode Off - port operates in HDX mode Blinks - collisions detected

### Environment

	°C	°F
Operating Temperature	0 to 45	32 to 113
Storage Temperature	-30 to 65	-22 to 149
Humidity	10 to 90% non-condensing	

### Dimensions (WL-510)

Height	Width	Depth
30mm (1.2")	147mm	125mm (4.9")

### Safety & Emissions

CE, FCC Part 15, EM60950
--------------------------



WizLAN Ltd. P.O. Box 7948, Haifa 31078, Israel e-mail: sales@wizlan.com http://www.wizlan.com Tel: +972-4-857-2199 Fax: +972-4-857-2204