

# WL-300

## A Wiz-lite Product

- Triple port switch, ideal Residential Access Unit (RAU) for L2H and FTTX advanced services such as VOIP etc.
- Supports port based priority for multimedia applications
- Link verification function: FEF
- 100BaseFX uplink and two 10/100BaseT RJ-45 ports
- 10/100M, HDX/FDX auto-negotiation/manual modes
- MM up to 2Km; SM up to 100Km; SF up to 50Km
- Compact size desktop and wall mount converter
- Unique version for F/O protected mounting
- Available for indoor, outdoor and industrial environment
- Enhanced LED indicators

The WL-300 is a triple port stand-alone switch providing one 100BaseFX uplink port and two 10/100BaseT RJ-45 ports in compliance with IEEE 802.3 standards.

The WL-300 was specially designed as a Residential Access Unit for L2H and FTTX advanced services.

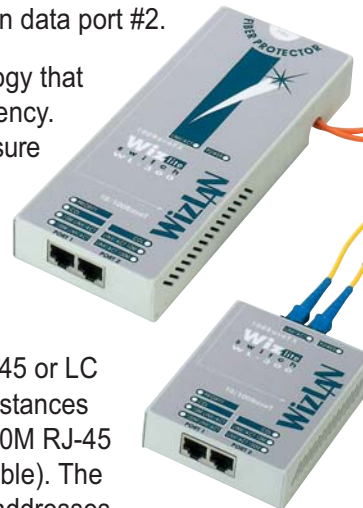
The switch supports port base priority (jumper selectable) that opens a high priority path between the F/O uplink and Port #1, providing QOS for mission critical applications such as VOIP (IP telephony), video etc., while maintaining regular priority on data port #2.

The WL-300 incorporates store and forward fast switching technology that assures full wire speed forwarding and filtering rates at minimal latency. The switch supports FDX IEEE802.3x flow control and HDX backpressure flow control.

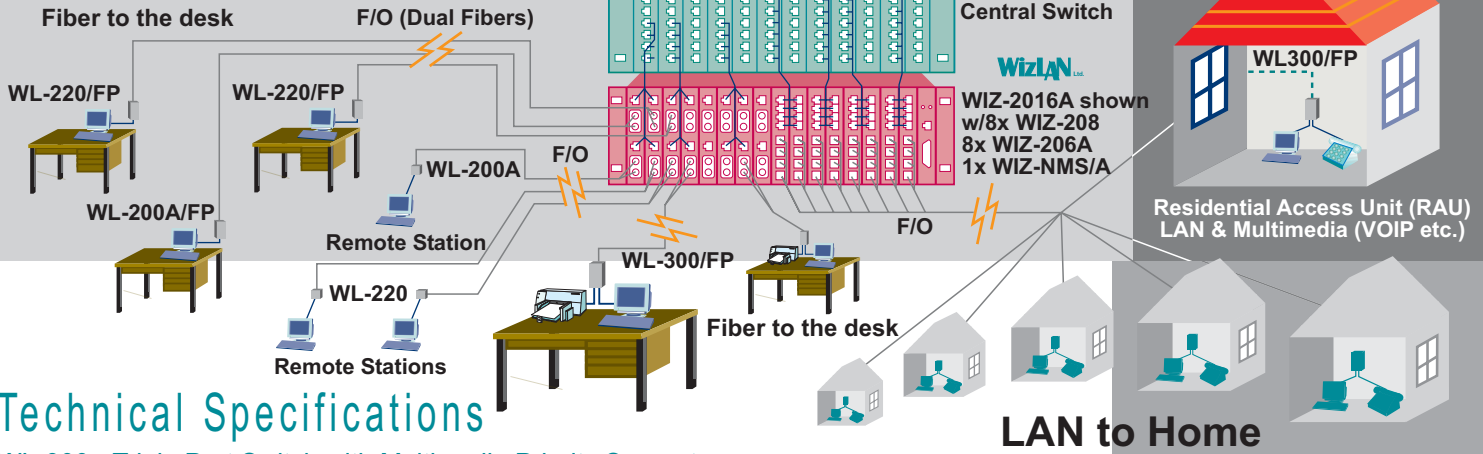
The WL-300 is equipped with special features for enhanced link monitoring that provide plug & play installation, operation and link management capabilities.

The FX port is available with multimode (MM) SC, ST, MT-RJ, VF-45 or LC connectors or singlemode (SM) SC, MT-RJ or LC connectors for distances up-to 100Km, the port supports Far-End-Fault detection. The 10/100M RJ-45 ports operate in auto-negotiation or manual modes (jumper selectable). The WL-300 includes 64K buffer memory, learning/aging table with 1K addresses and supports VLAN frames up-to 1536 bytes long.

WL-300/FP, for F/O Protected mounting, was specially designed for Fiber to the Desk and LAN to Home (L2H) applications. This model includes an integrated F/O tray and cover that protects the F/O connection and power plug. Using the WL-300/FP the fiber and power jack are protected and the user can only access the TX port.



# Typical Configuration



## Technical Specifications

### WL-300 - Triple Port Switch with Multimedia Priority Support

#### 10/100BaseT Ports

10/100BaseT auto-negotiation (A/N)
Manual port settings: A/N, 10M or 100M, HDX or FDX, Priority*
100 meter (330 ft) distance over UTP/STP cable

#### Special Feature

Far-End-Fault detection (FEF), on FX port
Port based priority

#### Standards Compliance

IEEE802.3 - Ethernet, Fast Ethernet, auto-negotiation
IEEE802.3x - full duplex flow control

#### LED Indicators

DC Power	• POWER
10/100BaseT ports	• 100M LINK/ACT - 100M Link /Activity • 10M LINK/ACT - 10M Link /Activity • COL - Collision detected on the port • Priority - Priority mode, uplink - port #1
*only for port #1	
100BaseFX port	• LINK/ACT - Link / Activity

#### Dimensions

	Width	Length	Height
WL-300	76mm/3"	97mm/4"	27mm/1.1"
WL-300/FP	97mm/3.8"	191mm/7.5"	27mm/1.1"

#### Technology

Wire speed store and forward switching technology
1K address table, learning & aging
FDX 802.3x and HDX back pressure flow controls
Supports large frames up to 1536 bytes (VLAN frames).

#### Ordering Information

WL-300/[fiber type]/[connector type]/[options]	Triple port switch, 2x 10/100BaseT RJ45 ports and 100BaseFX port, incl. EPS
<p>M = Multimode, 1310nm, 11dB, 0-2Km</p> <p>S = Singlemode, 1310nm, 30dB, 0-30Km</p> <p>S1 = Singlemode, 1310nm, 34dB, 10-50Km</p> <p>S2 = Singlemode, 1550nm, 34dB, 40-100Km</p> <p>SF-A/S* = Single Fiber, TX 1550nm RX 1310nm, 18dB, 0-20Km</p> <p>SF-B/S* = Single Fiber, TX 1310nm RX 1550nm, 18dB, 0-20Km</p> <p>SF-A/S1* = Single Fiber, TX 1550nm RX 1310nm, 30dB, 10-50Km</p> <p>SF-B/S1* = Single Fiber, TX 1310nm RX 1550nm, 30dB, 10-50Km</p> <p>* Single fiber dual wavelength, connects in pairs: SF type A connects to SF type B</p>	<p>SC [ ] - Standard Temp. 0°C to +45°C</p> <p>ST FP - Standard Temp. Fiber Protector</p> <p>LC ETR - Extended Temp. 0°C to +60°C</p> <p>ETR/FP - Extended Temp. Fiber Protector</p> <p>IND - Industrial Temp. -20°C to +70°C</p> <p>IND/FP - Industrial Temp. Fiber Protector</p>
Note: for other fiberoptic distances and/or connectors please contact WizLAN representative	
Example: WL-300/M/SC/ETR Triple port switch, 2x 10/100BaseT RJ45 ports and 100BaseFX (MM, 1310nm, 11dB, 0-2Km, SC), 0°C to +60°C, inc. EPS	

#### 100BaseFX port

• Interface		
Multimode	1310nm	SC, ST, LC
Singlemode	1310nm	SC, ST, LC
	1550nm	SC
• Distance/Optical Power Budget		
Multimode	62.5/125µ	2Km/11dB
Singlemode	9/125µ	30km 50Km 100Km
		18dB 30dB 34dB (1550)

#### Power Requirements

Input	5VDC 1A regulated
Jack polarity	+5V -

#### Power Adapter (EPS)

External AC/DC wall mount adapter (supplied)		
AC Input	90 - 264VAC	0.05-0.1A 50/60Hz
DC Output	5 VDC 1A or 2A regulated (switching PS)	
Jack Polarity	+5V -	

#### Safety & Emissions

CE, FCC Part 15, EN60950
--------------------------

#### Environment

Operating Temp. standard	0 to 45°C	32 to 113°F
Operating Temp. ETR	0 to 60°C	32 to 140°F
Operating Temp. IND	-20 to 70°C	-4 to 158°F
Storage Temperature	-40 to 85°C	-40 to 185°F
Humidity	10 to 90% non-condensing	

All specifications are subject to change without notice. Neither manufacturer nor seller shall be liable for any loss, damage, or injury, direct or consequential, arising from the inability to use the product.

