

10BaseT/TX to 10BaseFL Converter



Wizlite



WL-10

A Wiz-lite Product

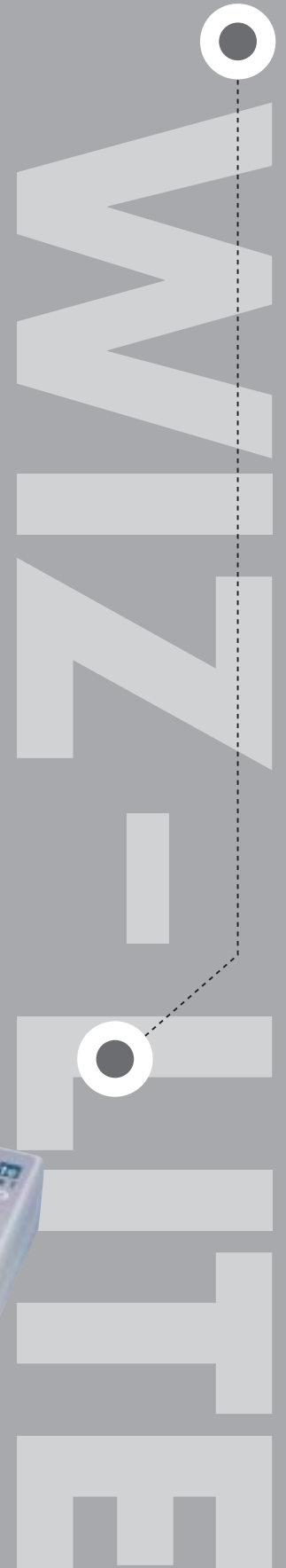
- Compact size desktop and wall mount converter
- RJ-45 STP/UTP support
- MDI-II/MDI-X pushbutton selection
- Half/Full Duplex transparent support
- Multimode or Singlemode options
- Available with ST or VF-45 F/O connectors
- Enhanced LED indicators

The WL-10 is a compact size stand-alone fiber optic (F/O) Ethernet converter providing conversion from 10BaseT/TX copper media (RJ-45) to 10BaseFL fiber media (duplex ST or VF-45) in compliance with IEEE 802.3 Ethernet standards.

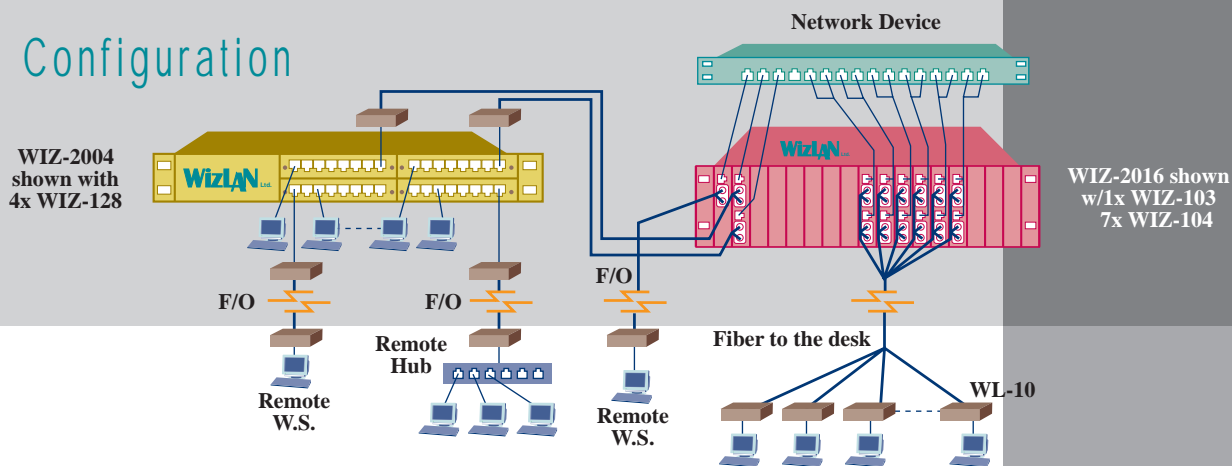
The converter transparently supports full duplex / half duplex (FDX/HDX) operation.

The fiberoptic port is available with (MM) multimode ST or VF-45 connectors or (SM) singlemode ST connectors. The WL-10 is equipped with an MDI-II / MDI-X pushbutton to enable direct connection of either a hub/switching-hub or station, avoiding the need of a cross cable.

Five high visibility LED indicators provide an extensive status display and diagnostics.



Typical Configuration



Technical Specifications

WL-10 - 10BaseT/TX to 10BaseFL Converter

10BaseT/TX Port

10BaseT/TX RJ-45 connector
Transparent Half/Full duplex support
MDI-II / MDI-X - pushbutton selection
100 meter (330 ft) distance over UTP/STP cable

Standards Compliance

IEEE 802.3 10BaseT/TX 10BaseFL

Conversion Method

Physical layer repeater

LED Indicators

DC Supply	• Power
10BaseT/TX PORT	• Link
	• RCV - receive activity
10BaseFL PORT	• Link
	• RCV - receive activity

Physical Dimensions

Height	Width	Depth
25.4mm (1")	76mm (3")	65mm (2.6")

Safety & Emissions

CE, FCC Part 15, EM60950

Ordering Information

WL-10M/ST	Stand-alone 10BaseT/TX to 10BaseFL converter, MM FO (850nm,0-2.7Km, ST), incl. EPS
WL-10M/VF	Stand-alone 10BaseT/TX to 10BaseFL converter, MM FO (850nm,0-2.7Km, VF), incl. EPS
WL-10S/ST	Stand-alone 10BaseT/TX to 10BaseFL converter, SM FO (1300nm,0-16Km, ST), incl. EPS
WL-ADP	Wall mount adapter

Important: Please specify the type of EPS required upon ordering: 200-240VAC or 100-120VAC.

All specifications are subject to change without notice. Neither manufacturer nor seller shall be liable for any loss, damage, or injury, direct or consequential, arising from the inability to use the product.

10BaseFL port

• Interface		
Multimode	850nm	ST or VF-45
Singlemode	1300nm	ST
• Distance		
Multimode	62.5/125μ	2.7Km (8,910 ft)
Singlemode	9/125μ	16Km (52,800 ft)
• Optical Power Budget		
Multimode	min - 11dB	
Singlemode	min - 9dB	

Power Requirements

Input	5VDC 1000mA regulated
Power jack polarity	+5V- ⊖

Power Adapter (EPS)

External AC/DC wall mount adapter (included)

AC input	200 - 240 VAC / 50-60Hz
	100 - 120 VAC / 60Hz
DC output	5 VDC 1000mA regulated
Polarity	+5V- ⊖

Environment

	°C	°F
Operating Temperature	0 to 45	32 to 113
Storage Temperature	-30 to 65	-22 to 149
Humidity	10 to 90% non-condensing	



WizLAN Ltd. P.O. Box 7948, Haifa 31078, Israel e-mail: sales@wizlan.com http://www.wizlan.com Tel: +972-4-857-2199 Fax: +972-4-857-2204