



10/100BaseT/TX to 100BaseFX
Fully Manageable Enhanced Converters



WIZ-211/212

Media Wizard Modules

- Single/Dual 10/100Base-TX to 100Base-FX slide-in modules
- Full SNMP management (and manual setup)
- MM up to 6Km; SM up to 100Km
- Single Fiber up to 50Km, CWDM support
- Link verification functions: FEF, PONL and loopback
- Power Failure Notification (PFN) - optional
- Rate-limit, flow-control and jumbo frames support
- In-band management support
- Auto MDI/MDI-X crossover
- Hot-swappable slot-independent slide-in module

WIZ-211/212 slide-in modules provide copper to fiber media conversion in compliance with IEEE 802.3 Ethernet standards.

Fully manageable dual-speed converter modules. Installable in the Media Wizard chassis and customized to meet your fiber-optic link connectivity requirements, single port conversion is provided by WIZ-211; dual port conversion is provided by WIZ-212.

Management capabilities include open/close port, speed, duplex, FEF, PONL, rate limit, loopback, user assigned names and detailed port description; link status and traffic monitoring.

Enhanced link verification features. Functions such as Far-end-Fault (FEF), Propagation-of-no-Link (PONL) and support for loopback mode enable validating entire fiber segments, as well as identifying and isolating network problems.

Power Failure Notification (PFN) option. In-band power change notification transmitted to the F/O link partner (supporting PFN) upon sensing power drop/rise. Improves network serviceability by enabling identification of power failures at the remote sites.

In-band management support. Provides a backplane connection for Media Wizard in-band management connection.

Increased fiber utilization. Dual-wavelength Single Fiber models double fiber utilization through full-duplex transmissions on a single SM fiber; CWDM models can be incorporated into the Media Wizard CWDM solutions.

Unique transparent/fast switching technology. MAC address transparency with the benefits of Ethernet speed conversion, fault isolation and network extension capabilities.

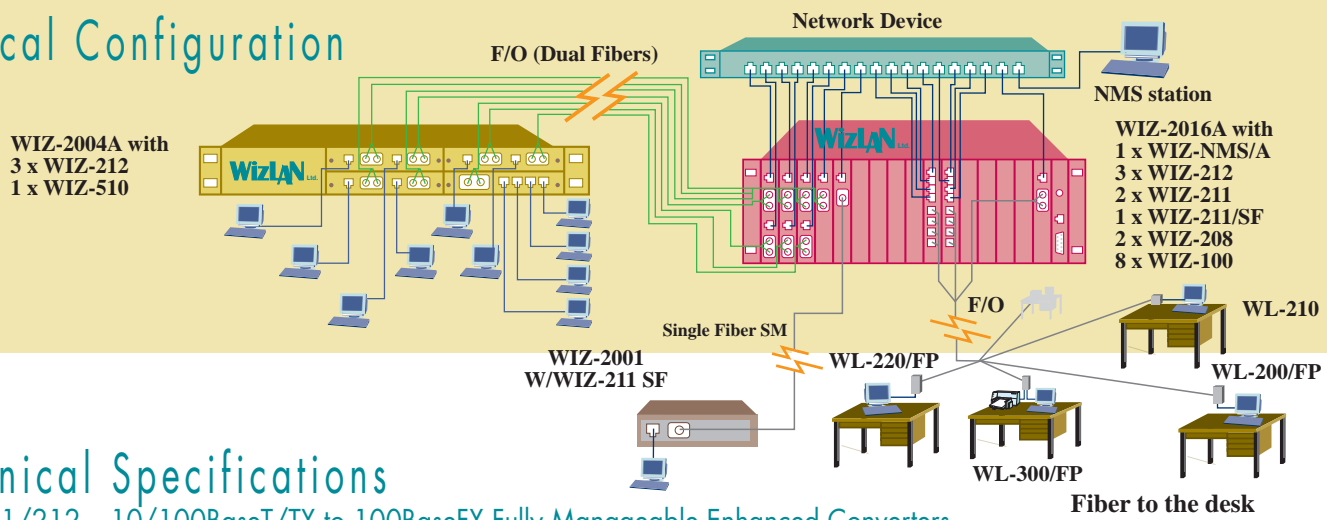
Enhanced LEDs. Indicators showing link and operational status.



MEDIA WIZARD

WizLAN Ltd. **Simply Unbeatable**

Typical Configuration



Technical Specifications

WIZ-211/212 – 10/100BaseT/TX to 100BaseFX Fully Manageable Enhanced Converters

10/100BaseT/TX Port(s)

10/100BaseT/TX RJ-45 auto-MDI/MDI-X
A/N or manual setting (speed HDX/FDX)
100 meter (330 ft) distance over UTP/STP

LED Indicators (each RJ-45 and Fiber port)

LN/AC – link/activity indication
100M – 100M speed indication
FD/CO – Full-Duplex / Collision indication
LP-BK – converter in loopback mode

Technology

Transparent/fast switching technology

Special Features

Full SNMP management / manual setup
Transparent switching technology
Jumbo frames (up to 1916 bytes)
Force Flow Control on FDX ports
Auto MDI/MDI-X crossover
Single Fiber, CWDM systems support
In-band management support
Open/Close port, rate-limit (mng only)

Special Link Verification Functions

Far-end-Fault (FEF) detection on fiber ports
Propagation-of-no-Link (PONL) C2F and/or F2C
Loopback mode on RJ45 and fiber ports (mng only)
Power Failure Notification (PFN) – option

100BaseFX Port(s)

Interface:

Multimode (MM), 1310nm	SC, ST, MT-RJ, VF-45, LC
Singlemode (SM), 1310nm	SC, ST, MT-RJ, LC
Singlemode (SM), 1550nm	SC, LC

Distance / power budget:

Multimode (MM), 62.5/125 μ	6Km / 11dB
Singlemode (SM), 9/125 μ	30Km 50Km 100Km (1550nm)
	18dB 30dB 34dB
Single Fiber (SF), 9/125 μ	20Km 50Km
	18dB 31dB
CWDM (SM), 9/125 μ	70Km / 25dB (1470 - 1610nm)

Standard Compliance

IEEE802.3u	10Base Ethernet / 100Base Fast Ethernet
IEEE802.3	Auto-negotiate

Safety and Emissions:

CE, FCC Part 15, EN60950

Power Consumption (installed in Media Wizard chassis):

DC Power Consumption (PU)	WIZ-211 – 0.8PU
(Power Units per module)	WIZ-212 – 1.4PU

Module Dimensions

H: 130mm (5.1") x W: 25.4mm (1") x D: 140mm (5.5")

Environment

Operating:	0 to 45°C (32 to 113°F)
Storage:	-40 to 85°C (-40 to 185°F)
Humidity:	10% to 90% non-condensing

Ordering Information - 211 (single-port) or 212 (dual-port)

WIZ-211/212 M/[x] (Single/Dual) 10/100BaseT/TX to 100BaseFX (MM, 1310nm, 0-6Km,[x]), fully manageable converter module
WIZ-211/212 [Sn]/[x] (Single/Dual) 10/100BaseT/TX to 100BaseFX (SM,[Sn]/[x]), fully manageable converter module
WIZ-211/212 /SF/[Sn]/[x] † (Single/Dual) 10/100BaseT/TX to 100BaseFX (SM, Single Fiber,[Sn],[x]), fully manageable converter module
WIZ-211 S/CW/[type]/LC 10/100BaseT/TX to 100BaseFX (SM,CWDM, 25dB, 0 to 70Km, LC), fully manageable converter module
 Where [type] = A for 1470nm, B for 1490nm, C for 1510nm, D for 1530nm, E for 1550nm, F for 1570, G for 1590nm, H for 1610 nm

WIZ-211/212/-/-/-/-/P PFN (Power Failure Notification) add-on feature

NOTE: For other F/O interfaces, please contact WizLAN Sales.

Terminology

M	Multimode 1310nm 0-6Km	[x]= Type of F/O connector: ST, SC, VF-45, MT-RJ, or LC
[Sn]=S	Singlemode 1310nm, 18 dB, 0-30Km	[x]= Type of F/O connector: SC, ST, MT-RJ, LC
[Sn]=S1	Singlemode 1310nm, 30dB, 10-50Km	[x]= Type of F/O connector: SC, ST, LC
[Sn]=S2	Singlemode 1550nm, 34dB, 40-100Km	[x]= Type of F/O connector: SC, LC
†Single Fiber (dual wavelength, works in pairs). type A: TX-1550nm and RX-1310nm, type-B: TX-1310nm and RX-1550nm		
SF-A/[Sn]=S	Single Fiber SM A-1550/1310nm, 18dB, 0-20Km	[x]= Type of F/O connector: SC
SF-B/[Sn]=S	Single Fiber SM B-1310/1550nm, 18dB, 0-20Km	[x]= Type of F/O connector: SC
SF-A/[Sn]=S1	Single Fiber SM A-1550/1310nm, 31dB, 10-50Km	[x]= Type of F/O connector: SC
SF-B/[Sn]=S1	Single Fiber SM B-1310/1550nm, 31dB, 10-50Km	[x]= Type of F/O connector: SC

All specifications are subject to change without notice. Neither manufacturer nor seller shall be liable for any loss, damage, or injury, direct or consequential, arising from the inability to use the product.



WizLAN Ltd. P.O. Box 7948, Haifa 31078, Israel e-mail: sales@wizlan.com http://www.wizlan.com Tel: +972-4-857-2199 Fax: +972-4-857-2204