



## 10BaseT to 10BaseFL Converter



# WIZ-103/4

A Media Wizard Module

- Modular and stand-alone versions
- Half/full duplex transparent support
- Multimode or single mode option
- Segment extension up to 2.7 Km (MM fiber) and 16KM (SM fiber)
- Enhanced LED indicators
- Manageable

WizLAN's fiber optic Ethernet converters provide conversion from 10BaseT/TX copper media to 10BaseFL fiber media in compliance to IEEE802.3 Ethernet standards. The WIZ-103 is a single channel converter where as the WIZ-104 is a dual channel converter.

With the advantage of transparent half duplex and full duplex support and a singlemode or multimode interface option on the fiber optic port, the WIZ-103/4 provides utmost flexibility for Ethernet media conversions.

An external MDI-II/MDI-X button enables the use of any TP cable (direct or crossed) to connect the WIZ-103/4 to any device station, hub or switch. The WIZ-103/4 supports full duplex operation, thus overcoming Ethernet distance limitations and enabling double throughput links.

Color LED indicators provide easy monitoring of the configuration and the status of the unit/link.

To maximize efficiency and minimize installation costs, the WIZ-103/4 module can be installed in a 16 or 4 slot modular chassis, saving rack space and main outlets, and enabling easy service and maintenance. Both chassis support an optional redundant power supply and central management.

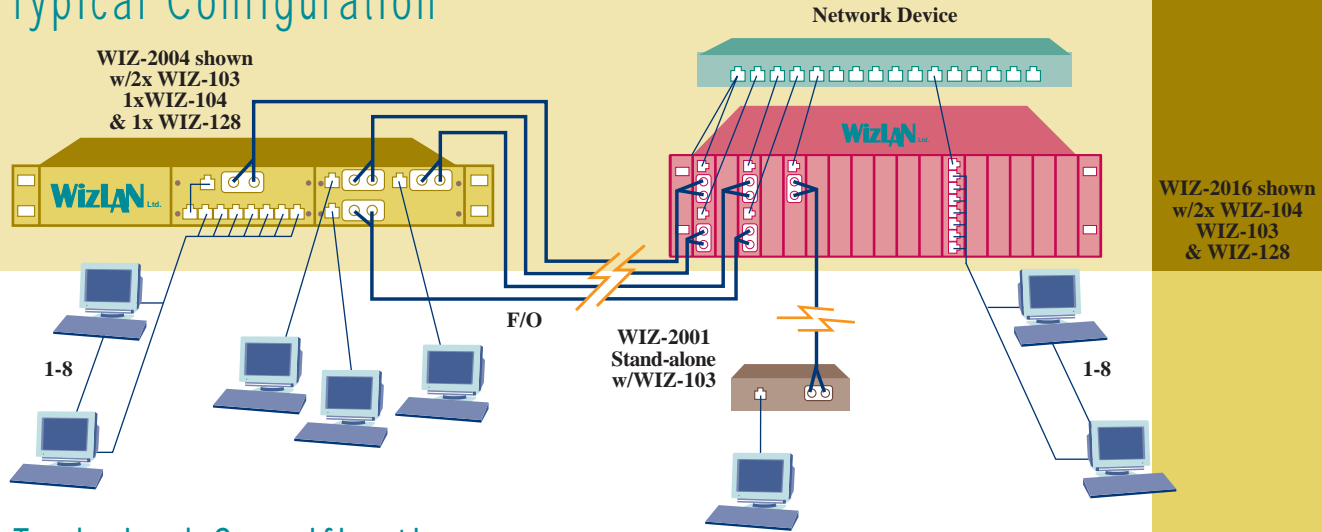
The converters can also be installed in a small, stand-alone chassis equipped with an internal, wide range power supply.



MEDIA WIZARD

**WizLAN** Ltd. Simply Unbeatable

# Typical Configuration



## Technical Specifications

WIZ-103/4 - 10BaseT/TX to 10BaseFL Converter

### 10BaseT/TX port

- 10BaseT/TX RJ-45 connector
- Half/Full duplex transparent support
- MDI-II/MDI-X - push-button selection
- 100 meter (330 ft) distance over UTP/STP cable.
- Auto-polarity correction

### Standards Compliance

IEEE 802.3 10BaseT/TX 10BaseFL

### LED Indicators

10BaseT	Link
UTP PORT	Receive activity
100BaseFX	Link
F/O PORT	Receive activity

### Conversion Method

Physical layer converter

### Physical Dimensions (Module)

Height	Width	Depth
130mm (5.1")	25.4mm (1")	140mm (5.5")

### Ordering Information

WIZ-103M/ST	Single 10BaseT/TX to 10BaseFL converter, MM FO (850nm, 0-2.7Km, ST), inc. status mgmt
WIZ-103M/VF	Single 10BaseT/TX to 10BaseFL converter, MM FO (850nm, 0-2.7Km, VF-45), inc. status mgmt
WIZ-104M/ST	Dual 10BaseT/TX to 10BaseFL converter, MM FO (850nm, 0-2.7Km, ST), inc. status mgmt
WIZ-104M/VF	Dual 10BaseT/TX to 10BaseFL converter, MM FO (850nm, 0-2.7Km, VF-45), inc. status mgmt
WIZ-103S/ST	Single 10BaseT/TX to 10BaseFL converter, SM FO (1300nm, 0-16Km, ST), inc. status mgmt
WIZ-104S/ST	Dual 10BaseT/TX to 10BaseFL converter, SM FO (1300nm, 0-16Km, ST), inc. status mgmt
WIZ-2016	16 slot modular chassis + NMS slot, 3U 19" rack mount, inc. one universal PS and optional RPS
WIZ-2004	4 slot modular chassis inc. NMS slot, 1.5U 19" rack mount, single universal PS
WIZ-2004R	4 slot modular chassis inc. NMS slot, 1.5U 19" rack mount, dual/redundant universal PS
WIZ-2001	1 slot modular chassis, stand-alone 1U, internal universal PS

All specifications are subject to change without notice. Neither manufacturer nor seller shall be liable for any loss, damage, or injury, direct or consequential, arising from the inability to use the product.

### 10BaseFL port

- Multimode, 850nm, ST connectors
- Singlemode, 1300nm, ST connectors
- Distance:
  - Multimode 62.5/125( 2.7Km (8910 ft)
  - Singlemode 9/125( 16km (52,800 ft)
- Optical Power Budget MM min 12db  
SM min 9db

### Electrical Characteristics

(Installed in WIZ-2016/2004/2001 chassis)

Chassis main input voltage	90 - 240 VAC
Frequency	47 - 63 Hz
DC Power Consumption (PU)	WIZ-103 - 0.25 PU
(Power Units per module)	WIZ-104 - 0.5 PU

### Safety & Emissions

CE, FCC Part 15, EM60950

### Environment

	°C	°F
Operating Temperature	0 to 45	32 to 113
Storage Temperature	-30 to 65	-22 to 149
Humidity	10 to 90% non-condensing	

**WizLAN** Ltd.

P.O. Box 7948, Haifa 31078, Israel e-mail: sales@wizlan.com http://www.wizlan.com Tel: +972-4-857-2199 Fax: +972-4-857-2204